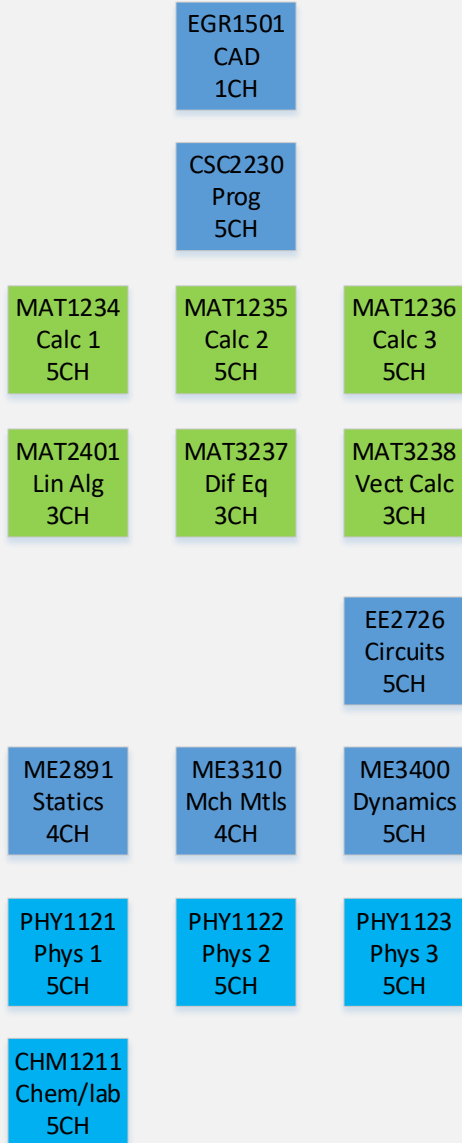
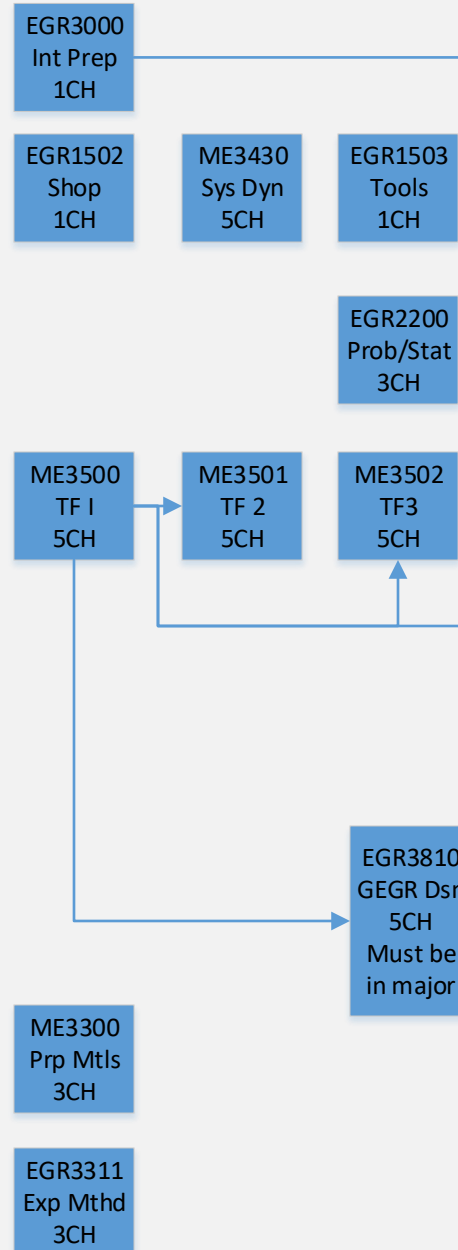


# AS-T Transfer: BSME and General Engineering – Mechanical Concentration 2019-20

Entering with all but 20 credits of SPU General Education  
Courses equivalent to the following SPU classes



SPU Year 1



SPU Year 2



Comm Curr: UCOR 2000, UFND 2000, UCOR 3000, UFND 3100  
WK-Arts (5), WK-Humanities (5), WK-Social Science (5), WE (5) and CUE (3)

Common Curriculum

Tech Elective (12CH Total Req)

Common Curriculum

Tech Elective (12CH Total Req)